

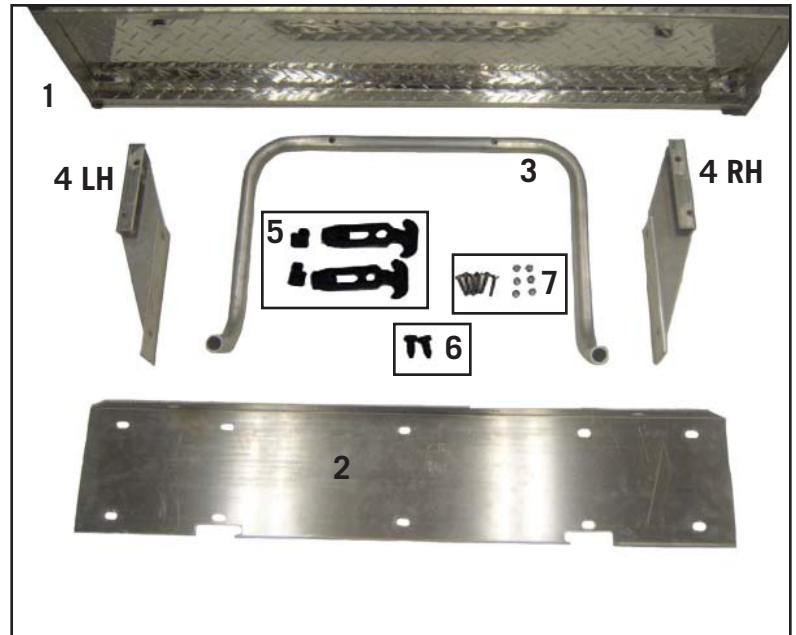
CGB YA2 ALUM-Aluminum Box
CGB YA2 BLK-Black Steel Box
Installation Instructions For 1988-1994 Yamaha G2/G9 Cargo Boxes



CAUTION: DO NOT TRANSPORT PASSENGERS IN CARGO BOX.

Kit Components:

Item#	Description
1	Cargo Box
2	Cargo Box Channel
3	U-Bracket
4	Left & Right Hand Front Mounting Brackets
5	Tailgate Rubber Latches
6	Tailgate Rubber Bumpers
7	Tailgate Hardware Kit
8	Hardware Kits



Hardware Kits (Item 8) Contain:

Bottom Channel Hardware Kit

- (6) 5/16"-18 x 1" Carriage Bolts
- (6) 5/16" Washers
- (6) 5/16" Nyloc Nuts

U-Bracket Hardware Kit

- (2) 5/16"-18 x 3 1/2" Hex Head Bolts
- (2) 5/16"-18 x 1 3/4" Hex Head Bolts
- (8) 5/16" Washers
- (4) 5/16" Nyloc Nuts

Front Mounting Bracket Hardware Kit

- (4) 5/16"-18 x 1" Carriage Bolts
- (4) 5/16"-18 x 1 3/4" Hex Head Bolts
- (12) 5/16" Washers
- (8) 5/16" Nyloc Nuts

Tools Needed:

- Drill
- 3/8" Drill Bit
- (2) 1/2" Wrenches



CAUTION:

Always disconnect the negative (-) cable from the battery pack before beginning. If your cart is equipped with a Tow/Run switch, always switch to the TOW position before disconnecting the battery pack. Make sure you wear eye protection!

INSTALLATION INSTRUCTIONS:

1. Remove the rear bag rack from cart.

NOTE: Leave hardware loose for easy installation.

2. Bolt the Cargo Box Channel (Item 2) onto bottom of the Cargo Box (Item 1) using six 5/16"-18 x 1" Carriage Bolts, six 5/16" Washers, and six 5/16" Nyloc Nuts (Figure 1).

3. Locate both of the Front Mounting Brackets (Item 4) and bolt them to the Cargo Box (Item 1) using two 5/16"-18 x 1" Carriage Bolts, two Washers, and two Nyloc Nuts per bracket (Figure 2).

4. Mark two holes on the steel frame rail underneath the cart. The holes should be centered vertically on the frame tube and 7.165" horizontally from edge of the tube (Figure 3).

5. Drill the two holes previously marked using a 3/8" drill bit.

NOTE: Line up the U-Bracket (Item 3) after drilling the first hole. Check the spacing before drilling the second hole to make sure it will fit properly (approximately 20.25" from center to center of each hole).

6. Bolt the U-Bracket (Item 3) to the bottom of the Cargo Box (Item 1) using one 5/16"-18 x 1 3/4" Hex Head Bolt, two 5/16" Washers, and one 5/16" Nyloc Nut per each side (Figure 4).

7. Bolt the Cargo Box (Item 1) to the golf cart with the Front Mounting Brackets (Item 4) using two 5/16-18 x 1 3/4" Hex Head Bolts, four 5/16" Washers, and two 5/16" Nyloc Nuts per Bracket (Figure 5).



Figure 1



Figure 2



Figure 3



Figure 4



Figure 5

8. Bolt the U-Bracket (Item 3) to the bag well using two 5/16"-18 x 3 1/2" Hex Head Bolts, four Washers, and two Nyloc Nuts (Figures 6 & 7).



Figure 6



Figure 7

9. Locate the Tailgate Rubber Latch (Item 5) and mount with included hardware (Item 7) (Figure 8).



Figure 8

10. Twist the Tailgate Rubber Bumpers (Item 6) into place (Figure 9).



Figure 9

NOTE: Tighten all hardware securely.



Buggies Unlimited
1-888-444-9994
www.buggiesunlimited.com
© Copyright 1997-2008 Buggies Unlimited. All Rights Reserved.